

# Intellian® FB150

## Compact Marine FleetBroadband Antenna System

**Intellian® FB150** is a high performance satellite communication solution designed to provide global, high quality data & voice for business, operational or recreational applications in a compact size and light weight Above Deck Unit with the optional matching dome solution and simple user-installation. The innovative true IP solution providing numerous benefits including:

- **Inmarsat's global broadband I4 satellite coverage**
- **Simultaneous Voice and data service**
- **Compact and reliable hardware**
- **IP connection for e-mail, Internet, fax and SMS**
- **LAN interface and single-user and multi-user router features**
- **IP Handset interface**
- **Matching dome solutions with the Intellian i-Series (Marine Satellite TV Antenna System)**



### Compact Global Maritime Terminal

Weighing just 9 lbs and 17.3 inch high, the Intellian FB150 is a compact FleetBroadband maritime terminal.

### Data & Voice Simultaneous Access

With 150kbps data rates, FB150 provides simultaneous access to data services, voice and text messaging.

### Reliable Hardware

Operating on the Inmarsat FleetBroadband Satellite System and reliable mechanic construction approved to Intellian standards, you can be confident of both the quality of the equipment and the support behind it.

### Continuous GPS Output

The continuous GPS output feature allows GPS data to be sent out via the RS232 port in standard NMEA 0183 format. With the built-in GPS module, the FB150 is able to provide accurate position information to onboard navigation systems such as plotters and radars.

### IP Handset

The rugged new plug-and-play IP Handset provides an intuitive user interface with a 2" TFT color screen and mobile phone type keys for making phone calls, texting SMS messages just like on shore.

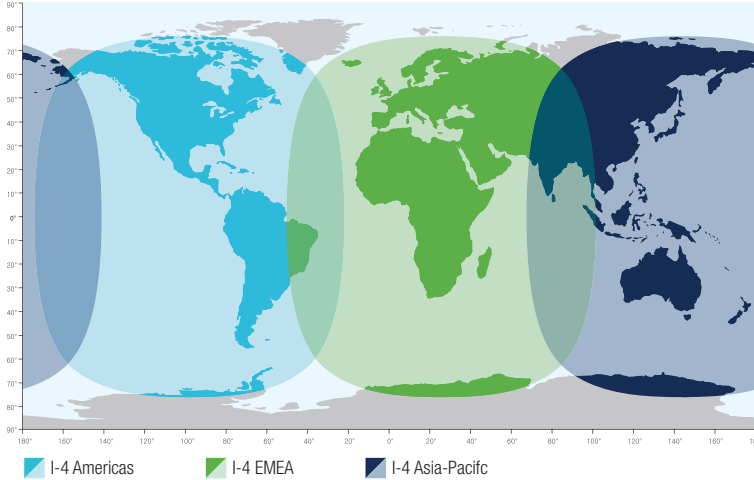
### Matching Dome Solutions

Various matching size domes are available for Intellian FB150 together with Intellian i-Series (i4, i6), satellite TV antenna systems. Now you can select a perfectly matched dome for the best appearance on your vessel.

# Intellian® FB150

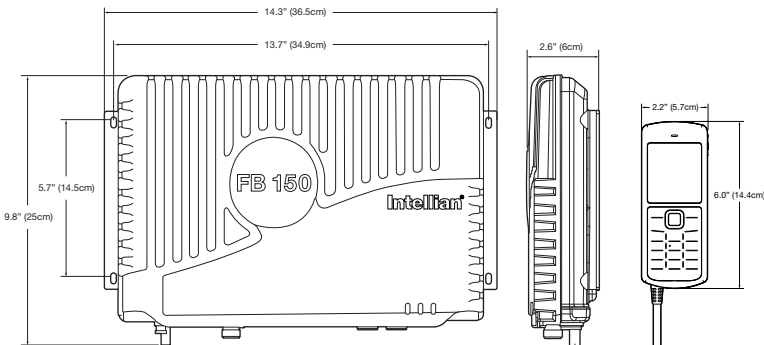
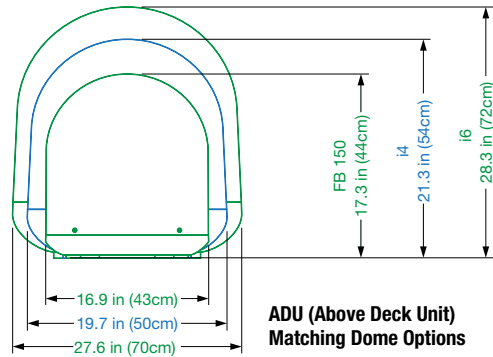
## Compact Marine FleetBroadband Antenna System

### Inmarsat FleetBroadband Global Coverage



This map depicts Inmarsat's expectations of coverage, but does not represent a guarantee of service. The availability of service at the edge of coverage areas fluctuates depending on various conditions.

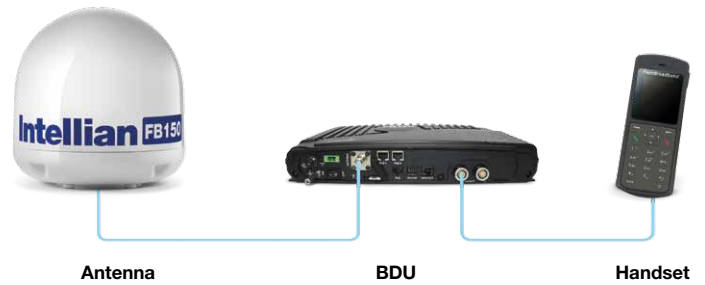
### System Dimension



### Technical Specifications

Part	Specifications
Intellian FB150	Inmarsat FleetBroadband 150 Marine Satellite Communication Antenna System
<b>Dimension and Weight</b>	
ADU	17.3 x 16.9 in (44 x 43cm) / 9 lbs (4.1kg)
BDU	14.1 x 9.8 x 2.6 in (36 x 25 x 6.7 cm) / 8.5 lbs (3.9 kg)
<b>Environmental Conditions</b>	
Operating Temperature	-13°F to +131°F (-25°C to +55°C)
Operating Humidity	[ADU] EN60945, [BDU] 95% non-condensing at +40°C
Water Ingress	[ADU] IP56, [BDU] IP31
Approvals	Inmarsat FleetBroadband/ RTTE/ CE/ FCC
Warranty	3 Years Parts and 1 Year Labor
<b>Global Services</b>	
Voice	Digital 4 kbps Voice
Standard IP	Up to 150 kbps
SMS	Up to 160 characters (3G standard)
FAX	Group 3 (via 3.1KHz Audio)
Airtime Service	Inmarsat airtime
<b>Frequency Band</b>	
Rx	1518.0 MHz – 1559.0 MHz
Tx	1626.5 MHz – 1675.0 MHz
Ch. Width	[Rx] 10.5 - 189 kHz, [Tx] 21 - 189 kHz
<b>Power Supply and Consumption</b>	
DC Input Range	10 - 32V DC (isolated)
Power (max)	150W @ 10 - 32V (including antenna)

### System Diagram



### Arion Communication Co., Ltd.

(150-972) 2-602 Hi-tech City, 775, Gyeongin-ro, Yeongdeungpo-gu, Seoul, Korea  
Tel. +82 2 6309 6800 Fax. +82 2 6309 6809 E-mail. sales@arionit.com

<http://www.arionit.com>

© Arion Communication Co., Ltd.

